

SLFT-75 is a uniquely designed ball float steam trap in SG Iron construction, Trap consists of an unique rotating ball & seat design with inbuilt sight glass.



SIZE

40 NB, 50 NB

PIPE CONNECTIONS

Screwed : BSP, BSPT, NPT

DESIGN CONDITIONS

- Max. Allowable Pressure (PMA) - 16 Bar (g) @ 100° C
- Max. Allowable Temp (TMA) 220° C
- Max. Operating Pressure (PMO) - 14 Bar (g)
 Max. Operating Temp. (TMO) - 220° C
 Max. differential Pressure - Δ PMX
 SLFT 75 - 5 - 5 bar (g)
 SLFT 75 - 10 - 10 bar (g)
 SLFT 75 - 14 - 14 bar (g)

INSTALLATION

- Trap must be installed in horizontal direction with arrow direction on nameplate pointing down
- Inlet direction arrow in pipe end must be fitted at inlet of trap.
- Ensure proper flushing of line before installation of trap.
- Slow opening of isolation valve is recommended to avoid system shock.

DISCHARGE CAPACITY (Kg/hr)

MODEL	SIZE	DIFFERENTIAL PRESSURE (bar)													
		0.5	1	1.5	2	2.5	3	3.5	4	4.5	5	5.5	6	6.5	7
SLFT75-5	40NB, 50NB	4252	5949	7409	8617	9669	10627	11461	12324	13102	13847	--	--	--	--
SLFT75-10	40NB, 50NB	2010	2812	3502	4073	4570	5023	5417	5825	6193	6545	6873	7197	7502	7797
SLFT75-14	40NB, 50NB	1499	2097	2612	3038	3409	3746	4040	4345	4619	4882	5126	5368	5595	5816

MODEL	SIZE	DIFFERENTIAL PRESSURE (bar)													
		7.5	8	8.5	9	9.5	10	10.5	11	11.5	12	12.5	13	13.5	14
SLFT75-5	40NB, 50NB	--	--	--	--	--	--	--	--	--	--	--	--	--	--
SLFT75-10	40NB, 50NB	8088	8366	8637	8897	9167	9426	--	--	--	--	--	--	--	--
SLFT75-14	40NB, 50NB	6032	6240	6442	6636	6837	7030	7220	7390	7572	7732	7918	8103	8295	8446

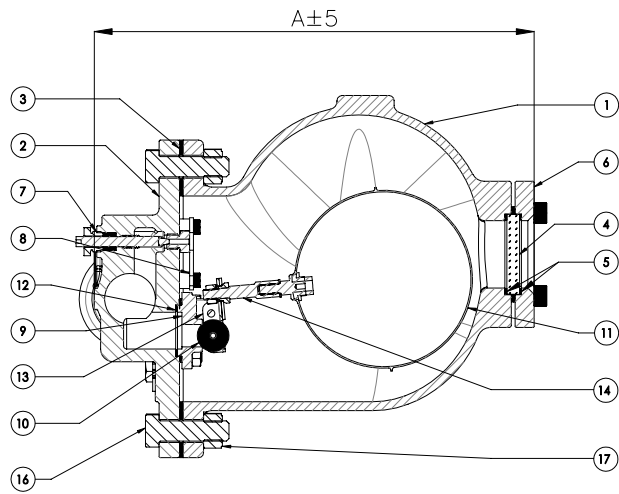
CERTIFICATION

En 10204 - 3.1

UNIQUE FEATURES

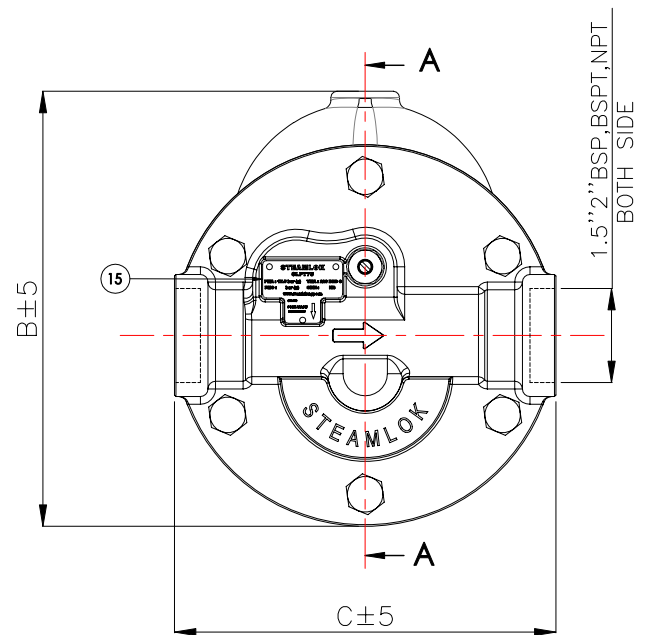
- Unique rotating ball design
 Makes trap "Zero leak"
- Self aligning steamlok release (SLR)
- Sight Glass as standard feature
- Functional test - 100% on steam

CONSTRUCTION



SECTION A-A

DIMENSIONS



PART LIST

NO	DESCRIPTION	MATERIAL	QTY
1	BODY	IS 1865 SG 500/7	1
2	COVER		1
3	COVER GASKET	NON CAF GRADE AF 154	1
4	SIGHT GLASS	TOUGHENED BOROSILICATE GLASS	1
5	SIGHT GLASS GASKET	GRAPHITE WITH AISI 304	2
6	SIGHT GLASS COVER	ASTM A216 GR. WCB	1
7	SLR ASSEMBLY	AISI 304	1
8	DEFLECTOR PLATE	AISI 304	1
9	SEAT	ASTM A351 GR.CF8	1
10	BALL	AISI 440C	1
11	FLOAT ASSEMBLY	AISI 304	1
12	SEAT GASKET	GRAPHITE WITH AISI 304	1
13	LEVER	AISI 304	1
14	FLOAT ARM	AISI 304	1
15	NAME PLATE	AISI 304	1
16	BOLT	HIGH TENSILE Gr.10.9	1
17	NUT	HIGH TENSILE Gr.10	1

Screwed

SLAFT-75	A (mm)	B (mm)	C (mm)	Wt. (Approx)
40 NB	355	285	250	26 Kg.
50 NB				

SPARE PARTS

- Float Assembly
- Sight Glass with gasket (Set of 2)
- Cover gasket (set of 2)
- SLR seal Assembly (Set of 5)

HOW TO ORDER

Ex. SLFT-75, Ball Float Steam Trap in SG Iron, 40NB, Screwed BSPT, 5 bar (g), SLR Non IBR.

SteamLok Engineering Pvt. Ltd.

W-75, S BLOCK, MIDC BHOSARI PUNE, Maharashtra - 411026, India
 Email : sales@steamlokengineering.com ● Website : www.steamlokengineering.com

STEAM SOLUTION GROUP