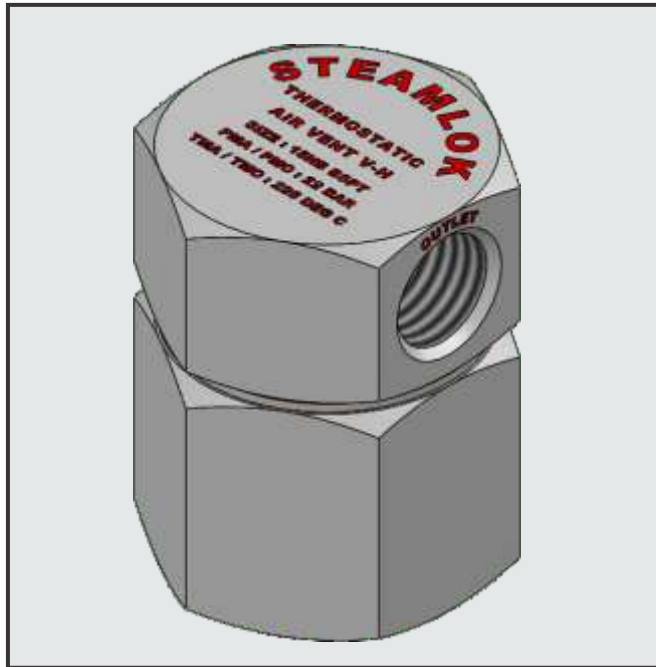


SLAVT 76 - VH is an uniquely designed Thermostatic Air Vent Trap in stainless steel (AISI 304) with vertical Intel & Horizontal outlet.



UNIQUE FEATURES

- Corrosion resistant stainless steel construction with inbuilt filter.
- Thermostatic element designed for wide pressure range.
- Functional test - 100% on steam

SIZE

15 NB, 20 NB

PIPE CONNECTIONS

Screwed : BSP, BSPT, NPT

DESIGN CONDITIONS

- Max. allowable pressure (PMA) - 49 bar (g)
- Max. allowable temperature (TMA) - 538°C
- Max. operating pressure (PMO) - 22 bar (g)
- Max. operating temperature (TMA) - 225°C

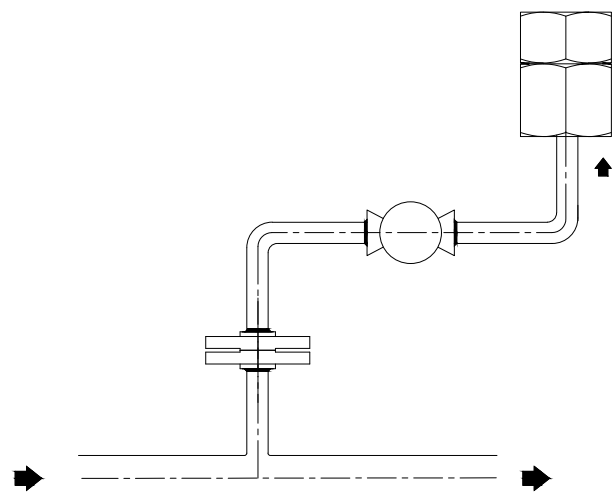
CERTIFICATION

IBR approval / En10204 - 3.1

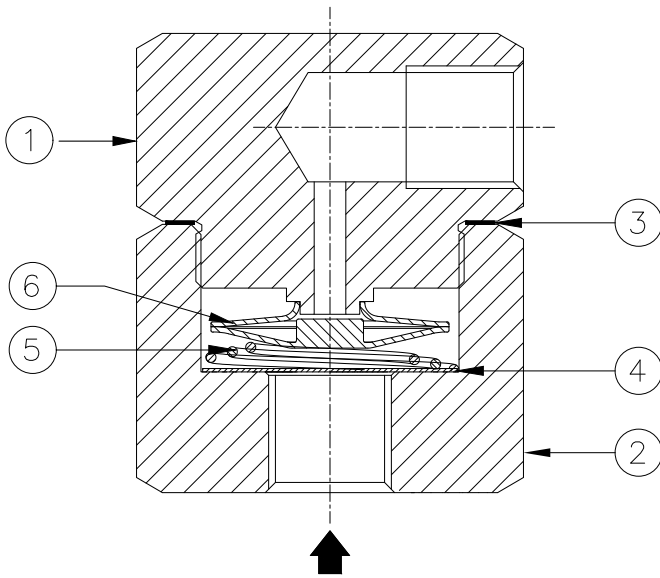
INSTALLATION

- Trap to be installed on horizontal line with vertical pipe connection as per arrow direction on trap (Intel from bottom side).

SLAVT76-VH



CONSTRUCTION



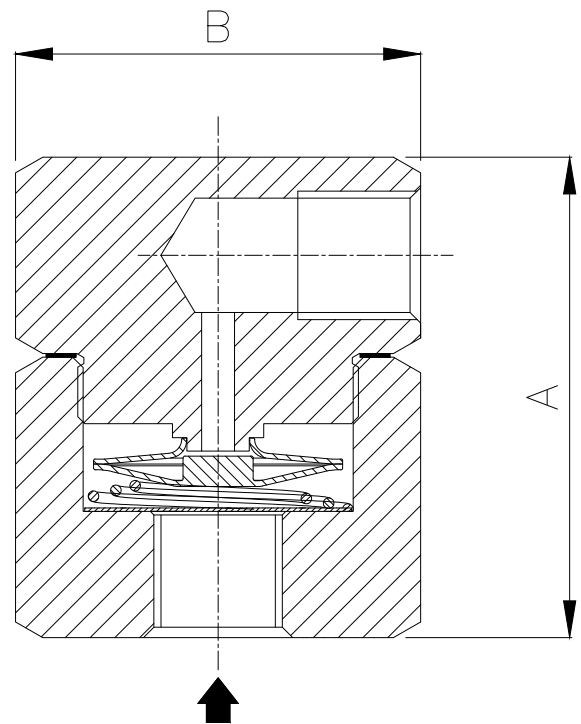
PART LIST

No.	Part Name	Material	Qty
1	Body	AISI 304	1
2	Cap	AISI 304	1
3	Cap Gasket	Non CAF HT	1
4	Filter Screen	AISI 304 (0.8 Perf)	1
5	Spring	AISI 304	1
6	Air vent Element	AISI 304	1

HOW TO ORDER

Ex. SLAVT76-VH, AISI 304, Thermostatic Air vent steam Trap, 15NB, Screwed BSPT, Non-IBR

DIMENSIONS



Screwed

SLAVT 76 - VH	A (mm)	B (mm)	Wt. (Approx)
15,20 NB	68	50 A/F	1 (Kg)

SPARE PARTS

- Air vent Element
- Filter Screen (Set of 3)
- Cap Gasket (Set of 3)

Steamlok Engineering Pvt. Ltd.

W75 S Block MIDC Bhosari Pune, Maharashtra - 411026, India

Email : sales@steamlokengineering.com • Website : www.steamlokengineering.com

STEAM SOLUTION GROUP